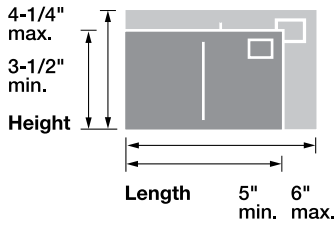


First-Class Mail—Retail

SHAPE	SIZE	PRICE
-------	------	-------

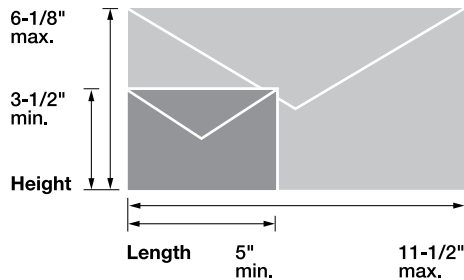
Postcards



	minimum	maximum
length	5 inches	6 inches
height	3-1/2 inches	4-1/4 inches
thickness	0.007 inch	0.016 inch

Price
\$0.27

Letters

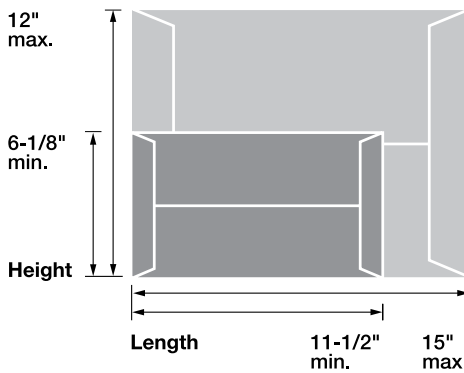


	minimum	maximum
length	5 inches	11-1/2 inches
height	3-1/2 inches	6-1/8 inches
thickness	0.007 inch	1/4 inch

Weight Not Over (ounces)	Price
1	\$0.42
2	0.59
3	0.76
3.5	0.93

Letters that meet one or more of the nonmachinable characteristics in DMM 101.1.2 are also subject to the \$0.20 nonmachinable surcharge.

Large Envelopes (Flats)

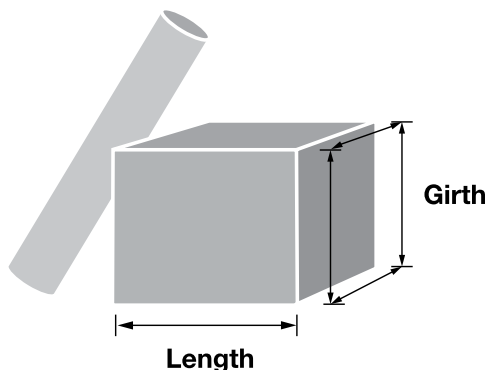


	minimum*	maximum
length	11-1/2 inches	15 inches
height	6-1/8 inches	12 inches
thickness	1/4 inch	3/4 inch

Weight Not Over (ounces)	Price
1	\$0.83
2	1.00
3	1.17
4	1.34
5	1.51
6	1.68
7	1.85
8	2.02
9	2.19
10	2.36
11	2.53
12	2.70
13	2.87

* Flats exceed at least one of these dimensions. Pieces that are rigid, nonrectangular, or not uniformly thick pay package prices.

Packages



length + girth	
length + girth combined cannot exceed 108 inches (Parcel Post cannot exceed 130 inches)	
length	the longest side of the package
girth	measurement around the thickest part (perpendicular to the length).

Weight Not Over (ounces)	Price
1	\$1.17
2	1.34
3	1.51
4	1.68
5	1.85
6	2.02
7	2.19
8	2.36
9	2.53
10	2.70
11	2.87
12	3.04
13	3.21